



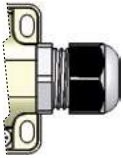
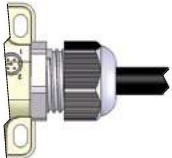
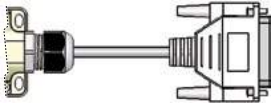
JDC (M12) Junction Blocks

6 Port, 5 Pin JDC Junction blocks

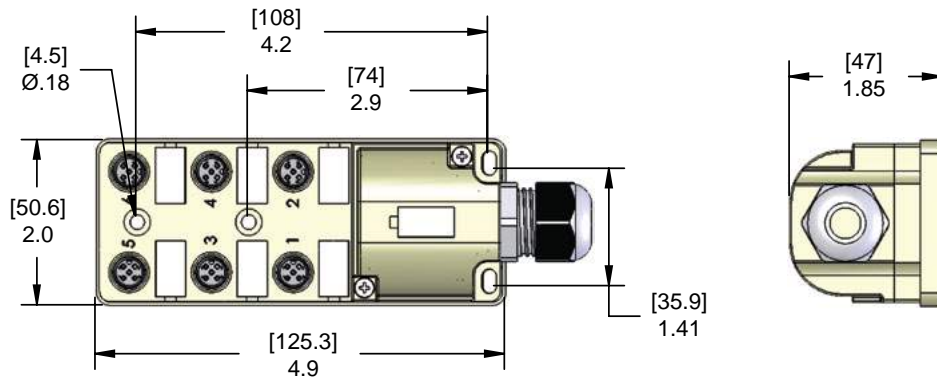


Field Wireable | Cable | D-Sub | IP67 Protection Rating



Trunk Style	UL Rating	Trunk Connection	Part Number		
			No LED	PNP	NPN
	UL Listed	Field Wireable 24 AWG - 16 AWG	JDC-650-015-F000	JDC-65P-215-F000	JDC-65N-215-F000
	UL Listed	Black PUR AWM With Foil Shield 22 AWG Drain Wire 3 x 18 AWG 12 x 22 AWG 9.4mm OD	JDC-650-015-C**	JDC-65P-215-C**	JDC-65N-215-C**
	N/A	Gray PVC With Foil Shield 20 AWG Drain Wire 21 x 24 AWG 4 x 20 AWG	JDC-650-025-D**	JDC-65P-225-D**	JDC-65N-225-D**

** Lengths in meters. Standard cable lengths are 2m, 5m and 10m. Consult factory for other lengths.



JDC Junction Blocks

Q

Specifications:

Ratings:	3 A per Connector 8 A per Block
Voltage:	Without LEDs: 0-150 Volt Max With LEDs: 48 VDC Max in accordance with LED Configuration
Body:	Polypropylene
Inserts:	Polyamide
Port Coupling Nuts:	PBT
O-Ring:	BUNA-N
LED Lens:	Polycarbonate
Contacts:	Copper Alloy with Gold Plating
Marker Tags:	Polyamide (supplied on all units)

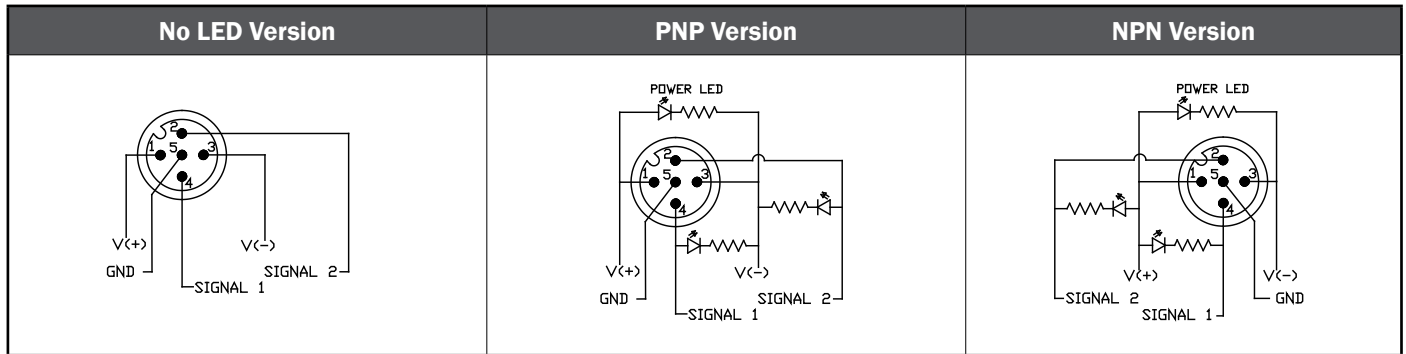


JDC (M12) Junction Blocks

6 Port, 5 Pin JDC Junction blocks



Field Wireable | Cable | D-Sub | IP67 Protection Rating



Function	Cable Version	25 PIN Male D-SUB
	Cable O.D. 0.40"	
+ V	Brown	PIN #22 & #23
- V	Blue	PIN #24 & #25
Ground	Green/Yellow	Shield
PORT 1 PIN 2	Gray/Pink	PIN #2
PORT 1 PIN 4	White	PIN #1
PORT 2 PIN 2	Red/Blue	PIN #4
PORT 2 PIN 4	Green	PIN #3
PORT 3 PIN 2	White/Green	PIN #6
PORT 3 PIN 4	Yellow	PIN #5
PORT 4 PIN 2	Brown/Green	PIN #8
PORT 4 PIN 4	Gray	PIN #7
PORT 5 PIN 2	White/Yellow	PIN #10
PORT 5 PIN 4	Pink	PIN #9
PORT 6 PIN 2	Yellow/Brown	PIN #12
PORT 6 PIN 4	Red	PIN #11

JDC Junction Blocks

Q